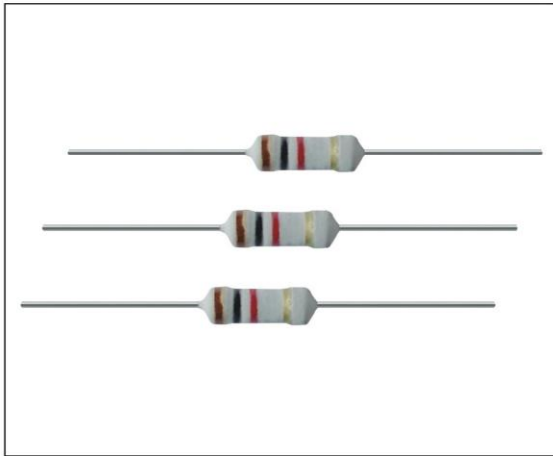
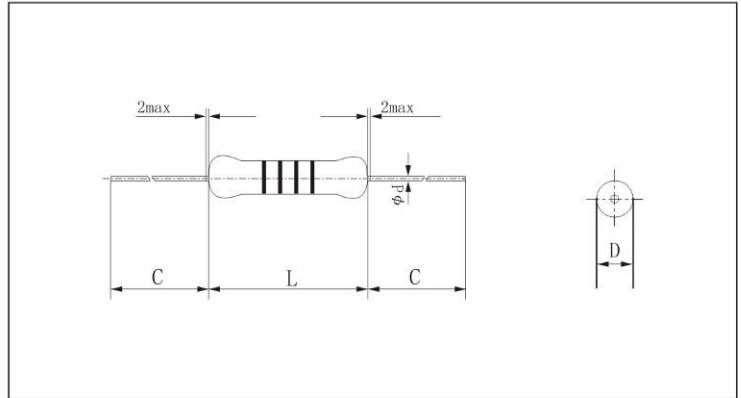


RI40

high value thick film resistors



Construction(mm)



Features

- Low noise, high temperature resistant, moisture proof, shock withstanding
- High resistance value, high voltage
- Blue or grey coating colour circle marking
- Blister tape and lead forming

Dimensions(mm)

size	L _{max}	D _{max}	d _{±0.05}	C _{±3}
RI40-1/4W	7.0	2.5	0.6	25.0
RI40-1/2W	10.5	3.9	0.6/0.7	25.0
RI40-1W	14	5.5	0.8	33.0
RI40-2W	17	6.5	0.8	32.0

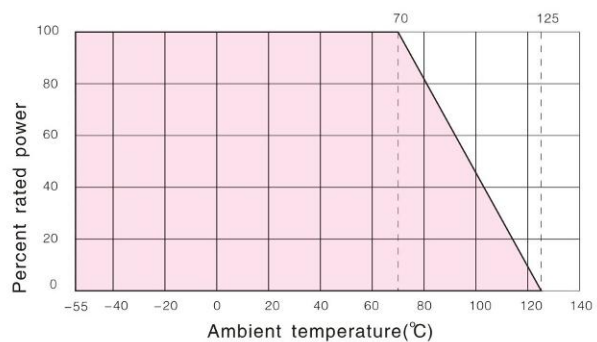
Applications

- all kinds of electrical equipments

Reference Standards

RI40: SJ 2867-88

Derating Curve



■ Technical Specifications

Type	Rated Power	Resistance Range	Tolerance	TCR ($10^{-6}/K$)	Max Working Voltage (V)	Insulate Voltage (V)
RI40-1/4W	1/4	100K Ω ~10M Ω	$\pm 5\%$	± 500	350	350
RI40-1/2W	1/2	100K Ω ~32M Ω			500	500
RI40-1W	1	100K Ω ~56M Ω	$\pm 10\%$		700	700
RI40-2W	2	100K Ω ~100M Ω			700	700

■ Performance

Test Item	Specifications	Test Methods
Solderability	$\geq 95\%$	$235 \pm 5^{\circ}C$, $2 \pm 0.5s$
Short Time Overload	$\Delta R \leq \pm (1\%R + 0.05\Omega)$	$2.5V_R$, 5s
Rapid temperature change	$\Delta R \leq \pm (1\%R + 0.05\Omega)$	$-55^{\circ}C$, 30min/ $125^{\circ}C$, 30min 5cycles
Leaching	$\Delta R \leq \pm (1\%R + 0.05\Omega)$	$350 \pm 10^{\circ}C$, $3.5 \pm 0.5s$
Temperature cycling	$\Delta R \leq \pm (5\%R + 0.1\Omega)$	$125^{\circ}C$, 16h/ $55^{\circ}C$, RH93 $\pm 3\%$, 24h/ $-55^{\circ}C$, 2h/ $15 \sim 35^{\circ}C$, 8.5KPa, 1h
Endurance at $70^{\circ}C$	$\Delta R \leq \pm (5\%R + 0.1\Omega)$	$70 \pm 2^{\circ}C$, P_R , 1000h

■ How To Order

Example

RI40	1 / 4	1 / 4W	100K Ω	$\pm 5\%$	$\pm 500(10^{-6}/K)$	bag
Type	Style	Power	Nominal Value	Tolerance	TCR	Packaging
RI40	1 / 4 1 / 2 1 2	1 / 4W 1 / 2W 1W 2W	100K Ω	$\pm 5\%$ $\pm 10\%$	$\pm 500(10^{-6}/K)$	tape bag

Packaging: Plastic recloseable bags (moq: 30PCS)